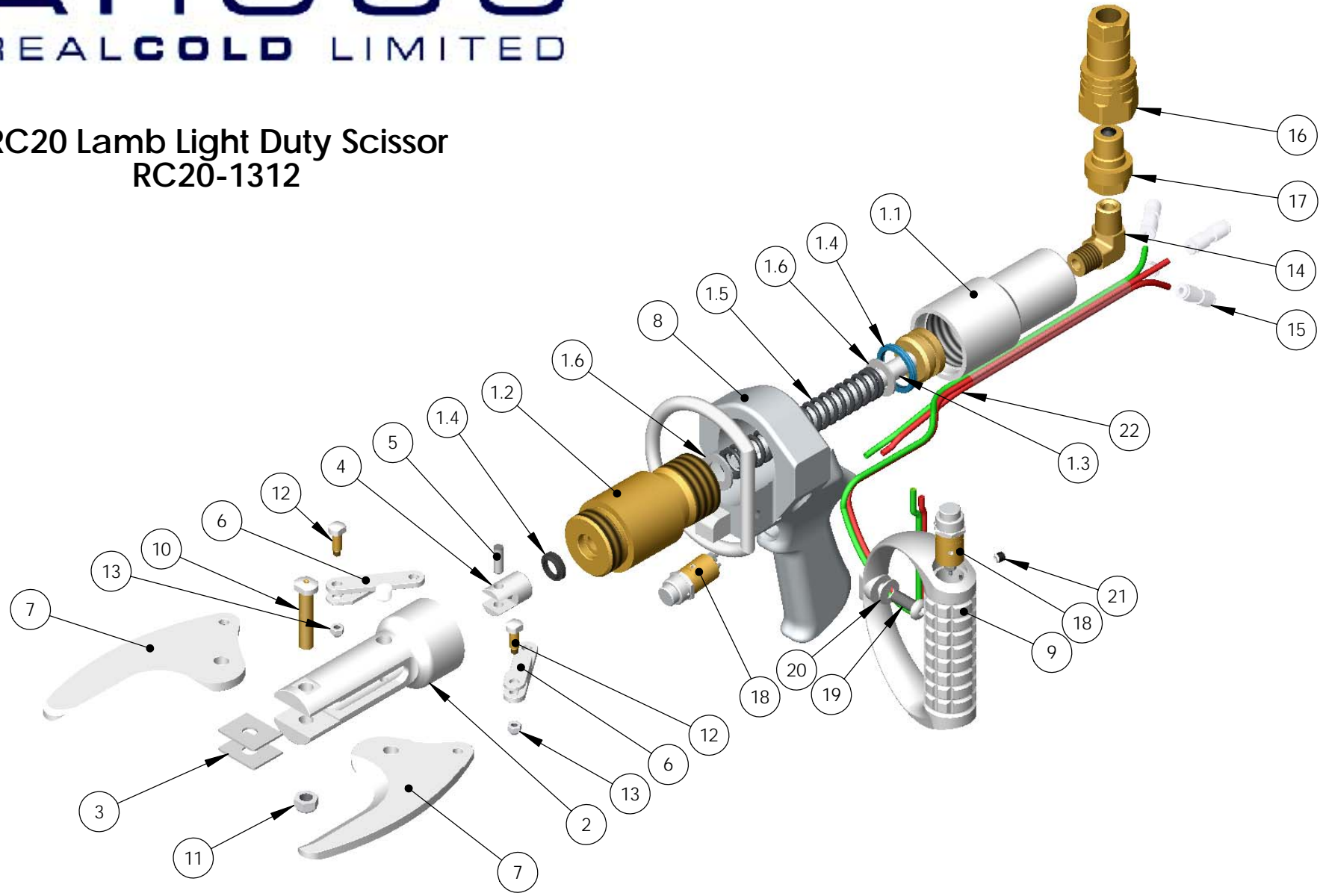


**RC20 Lamb Light Duty Scissor**  
**RC20-1312**





## RC20 Lamb Light Duty Scissor RC20-1312

ITEM NO.	QTY.	PART NO.	DESCRIPTION
1	1	110-202101-A	Hydraulic Cylinder Complete
1.1	1	110-202102-A	Hydraulic Cylinder Body
1.2	1	110-202103-A	Hydraulic Cylinder Head
1.3	1	110-202104-B	Piston & Rod Assy
1.4	1	110-202105-A	Seal Kit
1.5	1	110-202108-A	RC20 Return Spring
1.6	2	800-FWANSI1/2-304	ANSI 1/2" Flat Washer
2	1	120-203001-A	Clevis Tube
3	2	120-203002-A	Slipper Plate S/S
4	1	130-204101-A	Yoke
5	1	130-204102-A	Yoke Pin
6	2	130-204103-A	Cam Link
7	1	140-205101-A	Scissor Blade Standard
8	1	150-206101-A	Pistol Grip Complete
8.1	1	150-206102-A	Pistol Grip Only
8.2	2	800-CSM820-304	Cap Screw M8x20 304
8.3	1	150-206103-A	Hanger Ring
8.4	2	800-RP4X45-304	M4 x 45 Roll Pin
9	1	150-206104-A	D-Handle
10	1	160-207101-A	Pivot Bolt
11	1	160-207102-A	Pivot Bolt Nut
12	2	160-207104-A	Cam Bolt
13	2	160-207105-A	Cam Nut
14	1	180-AA90-0606	Hydraulic Elbow Male
15	4	180-KQ2H04-00	Straight Connector 4mm
16	1	180-QVV-F06	Hydraulic Coupler Female
17	1	180-QVV-M06	Hydraulic Coupler Male
18	2	190-209508-B	Pilot Valve
19	1	800-BHM820-304	M8x20 Button Head Screw 304
20	1	800-FWM8-304	M8 Flat Washer
21	2	800-GSM66-304	M6x6 Grub Screw
22	1	800-2-MP4	4mm Twinline